

SUBSCRIBE TO NSK NEWSLETTER ✉

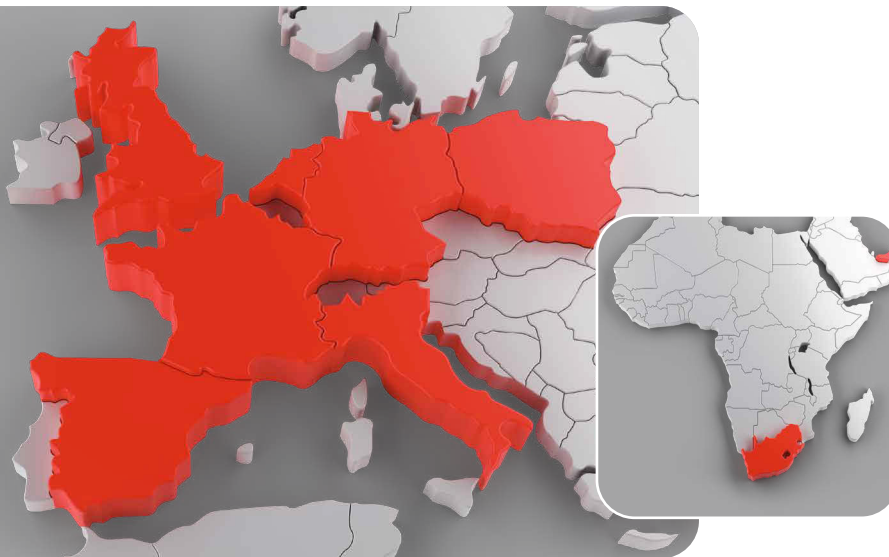
MOTION & CONTROL™
NSK

NSK IN EUROPE

PREMIUM BRAND SINCE 1916

Founded back in 1916 in Tokyo, Japan, we are among the world's leading manufacturers for rolling bearings, linear technology components and automotive products. We are market leaders in the area of rolling bearings and ball screws. In the EMEA region we can be found in 10 countries with 12 sales offices branches, 5 R&D centres and 4 production sites.

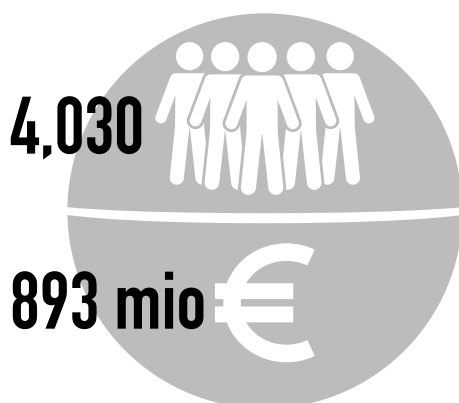
Worldwide, we can be found on every continent with production facilities, sales offices and technology centres.



Europe

- France
- Germany
- Italy
- Middle East
- Netherlands
- UK
- Poland
- Spain
- South Africa
- Turkey

EMEA



The workforce of around 4,030 employees in Europe generated a sales of almost 893 million €.

WORLD



Around 29,882 employees worldwide generate a sales of over 6,4 billion €.

KEY SECTORS

NSK in Europe focusses mainly on these sectors:



Automotive

Agriculture

Quarrying & Mining

Steel & Metals

Automation



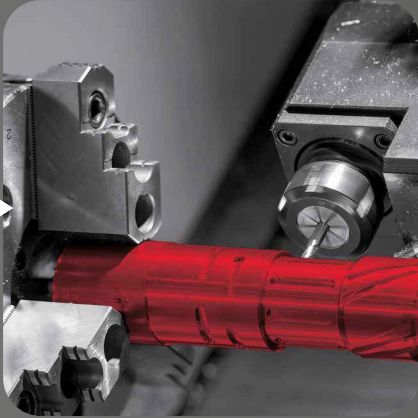
Electric Components
* Automotive / Industrial



Paper

Machine Tools

Industrial Gearbox



Robotics

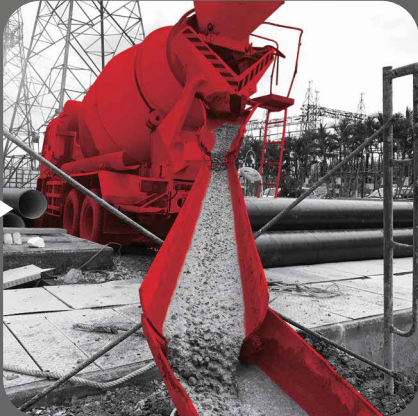
Wind Energy

Cement

Pumps & Compressors



Railway



KEY PRODUCTS

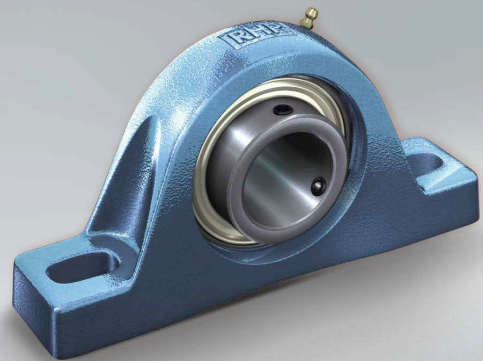
Ball Bearings



Roller Bearings



Self Lube Bearings



Linear Components



Super Precision Bearings



KEY SERVICES

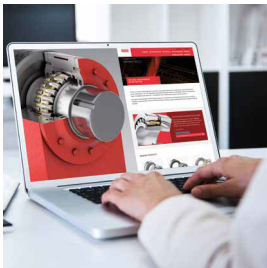


Added Value Programme

Optimising machinery and equipment to bring comprehensive, sustainable improvements that deliver long-term customer benefits

Value Cycle:

- evaluation
- implementation
- extension
- recommendation
- validation



Application Engineering

Our application engineers work hand in hand with our customers from original machine design stage to resolution of performance issues

Services including:

- application reviews
- machine design support
- OEM part conversion
- analyses - bearing condition, bearing failure, lubrication



Condition Monitoring

To maintain machines or replace parts when the time is right - not too early and not too late. This ensures system reliability and process operation even for complex applications.

Services including:

- Condition monitoring - online or offline
- Machine protection through continuous monitoring of condition variables
- Machine fault detection and analysis
- Machine fault diagnosis & elimination



Industry Experts

Identifying problems leading to inadequate product specification, breakdowns and lost production, and high / frequent replacement costs

Services including:

- project / process management
- inspection and diagnostics
- installation / removal services
- scheduled maintenance programs
- training programs



Technical Tools

We offer online / digital resources to facilitate design, selection and performance troubleshooting

Services including:

- CAD file download
 - Bearing calculation tools*
 - Troubleshooting (Bearing Doctor)*
- * apps available

WE PURSUE THE SAME GOAL IN EVERY AREA: TOTAL QUALITY

The continuous, advanced development of our quality management, certified according to ISO 9001, is deeply rooted in our corporate culture. Our customers and suppliers have been acknowledging this for decades with numerous awards and with a trusting, long-term business partnership.



ENVIRONMENTAL FOCUS



FIGHTING GLOBAL WARMING

Target: Zero Scope 1+2 emissions by 2030

We are contributing to a sustainable society by:

- fighting against global warming
- developing environmentally beneficial products
- recycling and conserving resources
- reducing the use of harmful substances

All NSK manufacturing plants are certified in accordance with ISO 14001

Recent Achievement

Eco Friendly Products

30 % of NSK Europe's bearing production uses low carbon green steel produced at carbon neutral steel plants.

CO₂ Emissions

All European manufacturing plants using green electricity. NSK Europe's total CO₂ emissions have reduced 75 % from 2017 base year.

Waste & Water

Briquetting of grinding swarf: 40 % waste reduction by weight.

Oil recovery from swarf: 108 t/p.a. reduction.

Re-use of non-Euro-pallets for non-EU-markets: 76 t/p.a. saving at NSK's distribution centers.

Re-use of process fluids recovered from briquetting.

NSK water harvesting unit collecting more than 200 m³ of rainwater from roof space.

Open to closed loop cooling system for remediation pumps in Poland: 6000 m³ p.a. water saving.

NSK SALES OFFICES EUROPE, MIDDLE EAST AND AFRICA

UK

NSK UK Ltd.
Northern Road, Newark
Nottinghamshire NG24 2JF
Tel. +44 (0) 1636 605123
Fax +44 (0) 1636 643276
info-uk@nsk.com

Italy

NSK Italia S.p.A.
Via Garibaldi, 215
20024 Garbagnate
Milanese (MI)
Tel. +39 02 995 191
Fax +39 02 990 25 778
info-it@nsk.com

South Africa

NSK South Africa (Pty) Ltd.
25 Galaxy Avenue
Linbro Business Park
Sandton 2146
Tel. +27 (011) 458 3600
Fax +27 (011) 458 3608
nsk-sa@nsk.com

France

NSK France S.A.S.
Quartier de l'Europe
2, rue Georges Guynemer
78283 Guyancourt Cedex
Tel. +33 (0) 1 30573939
Fax +33 (0) 1 30570001
info-fr@nsk.com

Middle East

NSK Bearings Gulf Trading Co.
JAFZA View 19, Floor 24 Office 2/3
PO Box 262163
Jebel Ali Downtown, Dubai, UAE
Tel. +971 (0) 4 804 8205
Fax +971 (0) 4 884 7227
info-me@nsk.com

Spain

NSK Spain, S.A.
C/ Tarragona, 161 Cuerpo Bajo
2ª Planta
08014 Barcelona
Tel. +34 93 2892763
Fax +34 93 4335776
info-es@nsk.com

Germany, Austria, Benelux

Switzerland, Nordic
NSK Deutschland GmbH
Harkortstraße 15
40880 Ratingen
Tel. +49 (0) 2102 4810
Fax +49 (0) 2102 4812290
info-de@nsk.com

Poland & CEE

NSK Polska Sp. z o.o.
Warsaw Branch
Ul. Migdatowa 4/73
02-796 Warszawa
Tel. +48 22 645 15 25
Fax +48 22 645 15 29
info-pl@nsk.com

Turkey

NSK Rulmanları Orta Doğu Tic. Ltd. Şti.
Cevizli Mah. D-100 Güney Yan Yol
Kuriş Kule İş Merkezi No:2 Kat:4
Kartal - Istanbul
Tel. +90 216 5000 675
Fax +90 216 5000 676
turkey@nsk.com

Please also visit our website: www.nskeurope.com

Global NSK: www.nsk.com

